

serie **WAFER**

F.E. TESTED
ISO15848-1

TUV
T.A. LUFT
SIL 3



Artt. **720301 - 720302**
STAINLESS STEEL CARBON STEEL

FIRE SAFE
Acc. BS6755-2
ATEX EX



* Art. 720302 vedi foto a pag.64 - See picture pag.64.

PER VAPORE - FOR STEAM - POUR VAPEUR - FÜR DAMPF - ДЛЯ ПАРИ



Valvola a sfera flangiata PN16 Fire Safe in acciaio inox A351-CF8M e acciaio al carbonio brunito A105 a passaggio totale e dispositivo antistatico. Adatta per uso vapore.

Full bore flanged ball valve PN16 with Antistatic Device and Fire Safe certificate, metric thread stainless steel A351-CF8M and blued A105 carbon steel. Suitable for steam.

Vanne à boisseau sphérique à bride PN16 Sécurité Feu en acier inoxydable A351-CF8M et en acier au carbone bruni A105, avec passage intégral et dispositif antistatique. Apte pour la vapeur.

Flansch-Kugelhahn PN16 Fire Safe aus Edelstahl A351-CF8M und brüniertem Stahl A105 mit vollem Durchgang und Antistatikvorrichtung. Geeignet für den Dampf.

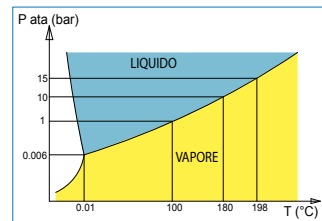
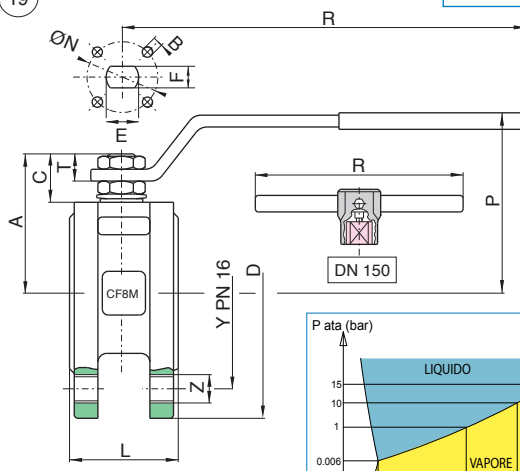
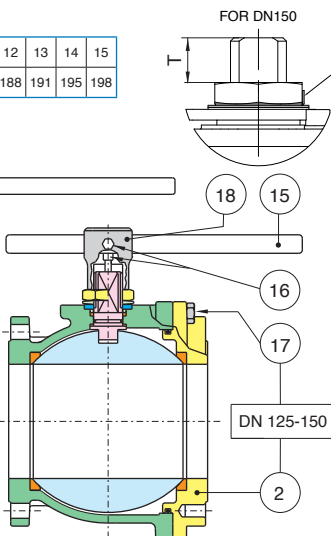
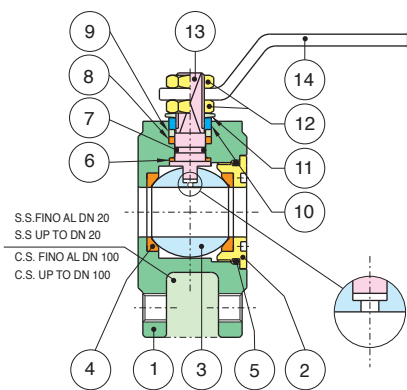
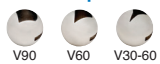
Вогнебезпечний фланцевий кульовий кран PN16 з нержавіючої сталі A351-CF8M і полірованої вуглецевої сталі A105 з повним проходом і антистатичним пристроєм. Підходить для використання на водяній парі.

MASSIMA PRESSIONE DI ESERCIZIO CON VAPORE 15 bar
MAXIMUM WORKING PRESSURE 15 bar WITH STEAM
МАКСИМАЛЬНИЙ РОБОЧИЙ ТИСК З ПАРОЮ 15 бар

| | | | | | | | | | | | | | | | |
|--|-----|-----|-----|-----|-----|-----|-----|-----|-----|-----|-----|-----|-----|-----|-----|
| PRESSIONE VAPORE bar STEAM PRESSURE IN bar | 1 | 2 | 3 | 4 | 5 | 6 | 7 | 8 | 9 | 10 | 11 | 12 | 13 | 14 | 15 |
| TEMPERATURA VAPORE °C STEAM TEMPERATURE IN °C | 100 | 120 | 133 | 143 | 152 | 158 | 165 | 170 | 175 | 180 | 184 | 188 | 191 | 195 | 198 |

FOR DN150

V-Ball options



| POS. | DENOMINAZIONE | PART NAME | DESCRIPTION | TEILBENENNUNG | НАЙМЕНУВАННЯ | Art. 720301 | | Art. 720302 | | N°P | SPARE PARTS |
|------|--------------------------|-----------------------|------------------------------------|--------------------|---------------------|--|--|--|--|------|-------------|
| | | | | | | MATERIALE - MATERIALS - MATERIAUX - WERKSTOFF - MATERIAL | | MATERIALE - MATERIALS - MATERIAUX - WERKSTOFF - MATERIAL | | | |
| 1 | CORPO | BODY | CORPS | GEHÄUSE | КОРПУС | A351-CF8M/A182-F316 | | ASTM A105 | | 1 | |
| 2 | GHIERA | END CONNECTION | RACCORDS | RING | КІЛЬЦЕВА ГАЙКА | A351-CF8M/A182-F316 | | ASTM A105 | | 1 | |
| 3 | SFERA | BALL | SPHÈRE | KUGEL | КУЛЯ | A351-CF8M/A479-Trp316 | | A351-CF8/A479-Trp304 | | 1 | ● |
| 4 | GUARNIZIONE SFERA | BALL SEAT | JOINT DE TENUE SPHÈRE | KUGELDICHTUNG | СІДЛО КУЛІ | PTFE+CARBOGRAFITE | | PTFE+CARBOGRAFITE | | 2 | ● |
| 5 | O-RING | O-RING | O-RING | O-RING | О-КІЛЬЦЕ | FKM (VITON)® | | FKM (VITON)® | | 1 | ● |
| 6 | RONDELLA ASTA | THRUST WASHER | RONDELLE DE L'AXE | SPINDELSCHLEIBE | УПОРНА ШАЙБА | PTFE+CARBOGRAFITE | | PTFE+CARBOGRAFITE | | 1 | ● |
| 7 | O-RING | O-RING | O-RING | O-RING | О-КІЛЬЦЕ | FKM (VITON)® | | FKM (VITON)® | | 1 | ● |
| 8 | GUARNIZIONE ASTA | STEM SEAT | JOINT DE L'AXE | SPINDELDICHTUNG | УЩІЛЬНЕННЯ ШТОКА | PTFE+CARBOGRAFITE | | PTFE+CARBOGRAFITE | | 1 | ● |
| 9 | BUSSOLA PREMIGUARNIZIONE | PACKING GLAND | BAGUE DE PRESSE ETOUPE | VORSPANNRING | САЛЬНИКОВЕ КІЛЬЦЕ | CARBON STEEL | | CARBON STEEL | | 1 | |
| 10 | RONDELLA MEZZOGIRO | END STOP | RONDELLE | ANSCHLAGSCHEIBE | УПОРНА ШАЙБА | INOX AISI 430 (DN15 - DN50) CARBON STEEL (DN65 - DN100) | | INOX AISI 430 (DN15 - DN50) CARBON STEEL (DN65 - DN100) | | 2-1 | |
| 11 | MOLLA A TAZZA | SPRING WASHER | RESSORT À DISQUES | TELLERFEDER | ПРУЖИННА ШАЙБА | CARBON STEEL | | CARBON STEEL | | 2 | |
| 12 | DADO | NUT | ECROU | MUTTER | ГАЙКА | CARBON STEEL | | CARBON STEEL | | 2 | ● |
| 13 | ASTA | STEM | TIGE | SPINDEL | ШТОК | A479-Trp316 | | A479-Trp316 | | 1 | ● |
| 14 | LEVA | HANDLE | POIGNÉE | HANDHEBEL | РУЧКА | CARBON STEEL | | CARBON STEEL | | 1 | ● |
| 15 | LEVA DN150 | HANDLE DN 150 | POIGNÉE DN 150 | HANDHEBEL DN 150 | ВАЖЕЛЬ DN 150 | CARBON STEEL | | CARBON STEEL | | 1 | ● |
| 16 | VITE | SCREW | VIS | SCHRAUBE | ГВИНТ | CARBON STEEL | | CARBON STEEL | | 2 | |
| 17 | VITE | SCREW | VIS | SCHRAUBE | ГВИНТ | CARBON STEEL | | CARBON STEEL | | 8-12 | |
| 18 | CORPO LEVA DN150-200 | BODY HANDLE DN150-200 | CORPS LEVIER DE COMMAND DN 150-200 | HABEL DN150-200 | КОРПУС ВАЖЕЛЯ DN150 | EN-GJL-250 | | EN-GJL-250 | | 1 | ● |
| 19 | RONDELLA ANTISVITAMENTO | UNSCREWING GROWER | RONDELLE ANTI DÉVISSAGE | SICHERUNGSSCHLEIBE | СТОПОРНА ШАЙБА | A182-F316 | | A182-F316 | | 1 | |

| MISURA SIZE | DN | CODICE MISURA SIZE CODE | D | Y | Z | L | R | P | A | C | T | E | F | ØN | B | Kv | PN | Kg | |
|----------------|-----|----------------------------------|-----|-----|---------|------|-----|-----|-------|------|----|----|----|-----|---------|--------|----|--------|--------|
| | | | | | | | | | | | | | | | | | | 720301 | 720302 |
| 1/2" | 15 | *04 | 90 | 65 | 4 x M12 | 35 | 131 | 65 | 47 | 15,5 | 9 | 10 | 7 | 32 | 4 x M5 | 19,2 | 16 | 1,30 | 1,30 |
| 3/4" | 20 | *05 | 100 | 75 | 4 x M12 | 40 | 131 | 69 | 51,5 | 15,5 | 9 | 10 | 7 | 32 | 4 x M5 | 35,0 | 16 | 1,90 | 1,90 |
| 1" | 25 | *06 | 115 | 85 | 4 x M12 | 46 | 174 | 80 | 61 | 17 | 11 | 12 | 8 | 42 | 4 x M5 | 64,5 | 16 | 2,20 | 2,70 |
| 1 1/4" | 32 | *07 | 140 | 100 | 4 x M16 | 54 | 174 | 84 | 64,5 | 15 | 11 | 12 | 8 | 42 | 4 x M5 | 103,8 | 16 | 3,30 | 4,20 |
| 1 1/2" | 40 | *08 | 150 | 110 | 4 x M16 | 63,5 | 250 | 102 | 78 | 24,5 | 13 | 16 | 10 | 50 | 4 x M6 | 174,0 | 16 | 4,20 | 5,90 |
| 2" | 50 | *10 | 165 | 125 | 4 x M16 | 82 | 250 | 111 | 87 | 25 | 13 | 16 | 10 | 50 | 4 x M6 | 301,3 | 16 | 6,10 | 8,70 |
| 2 1/2" | 65 | *12 | 185 | 145 | 4 x M16 | 103 | 321 | 128 | 104,5 | 25 | 18 | 20 | 14 | 70 | 4 x M8 | 545,7 | 16 | 10,00 | 15,50 |
| 3" | 80 | *14 | 200 | 160 | 8 x M16 | 122 | 321 | 138 | 115 | 28,5 | 18 | 20 | 14 | 70 | 4 x M8 | 872,5 | 16 | 13,50 | 20,50 |
| 4" | 100 | *18 | 220 | 180 | 8 x M16 | 152 | 381 | 156 | 137 | 34,5 | 22 | 24 | 18 | 102 | 4 x M10 | 1363,3 | 16 | 20,90 | 34,20 |
| 5" | 125 | *19 | 250 | 210 | 8 x M16 | 196 | 381 | 178 | 159 | 34 | 22 | 24 | 18 | 102 | 4 x M10 | 2360,3 | 16 | 37,50 | 40,50 |
| 6" | 150 | *20 | 285 | 240 | 8 x M20 | 232 | 700 | 266 | 201,5 | 51,5 | 30 | 42 | 30 | 125 | 4 x M12 | 3671,1 | 16 | 61,50 | 66,20 |

Disponibili ricambi - Available spare parts - Запасні частини pagg. ● 135 ● 140 ● 147 ● 151

