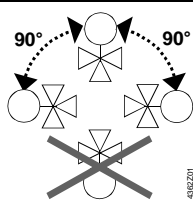


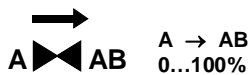
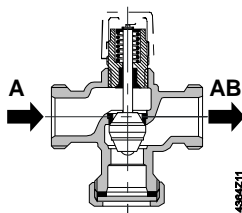
- de** Montageanleitung
- en** Mounting instructions
- fr** Instructions de montage
- sv** Monteringsinstruktion
- nl** Montage-aanwijzing
- it** Istruzioni di montaggio
- fi** Asennusohje
- es** Instrucciones de montaje
- da** Monteringsvejledning
- pl** Instrukcja montażu
- cz** Montážní návod
- hu** Szerelési útmutató
- el** Οδηγίες εγκατάστασης
- zh** 安裝指導

- Ventile PN16**
- Valves PN16**
- Vannes PN16**
- Ventiler PN16**
- Afsluiters PN16**
- Valvole PN16**
- Venttiilit PN16**
- Válvulas PN16**
- Ventiler PN16**
- Zawory PN16**
- Ventily PN16**
- Szelepek PN16**
- Βάνες PN16**
- 阀门 PN16**

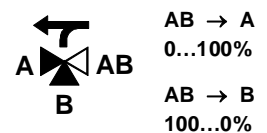
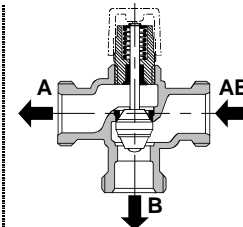
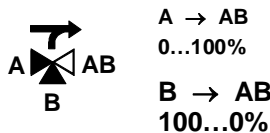
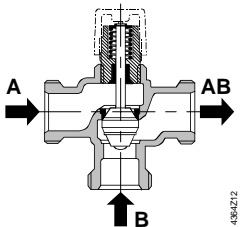
VVG44..
VXG44..



VVG44..



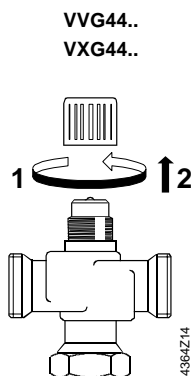
VXG44..



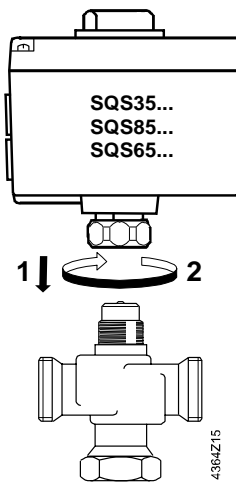
V..G44.. + SQS.. → 1...3

V..G44.. + SAS.. → 4...6

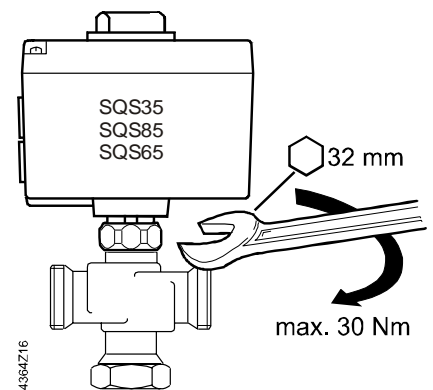
1



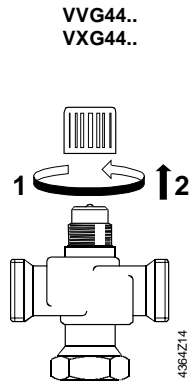
2



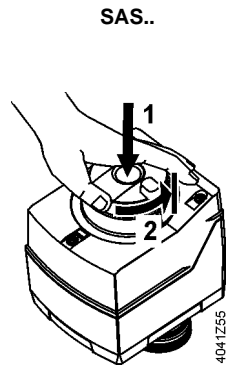
3



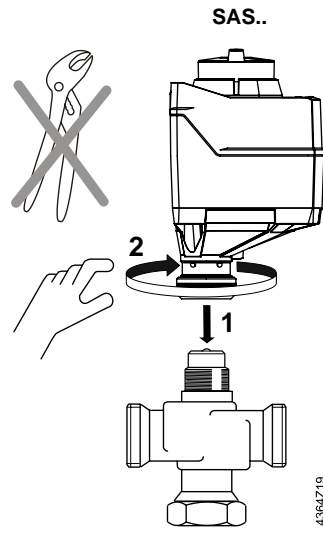
4



5



6



| VVG44.. | | DN | B | G | L1 | L2 | L3 | H1 | H2 | | | | | | | | |
|---------------|----|----|------|-----|------|------|------|------|------|------|------|------|------|------|----|----|------|
| | | | [mm] | ["] | [mm] | [mm] | [mm] | [mm] | [mm] | | | | | | | | |
| VVG44.15-0.25 | | 15 | 8.5 | G1B | 100 | 50 | 58 | 45 | 55 | 0.65 | | | | | | | |
| VVG44.15-0.4 | | | | | | | | 49 | 59 | | 0.67 | | | | | | |
| VVG44.15-0.63 | | | | | | | | | | | | 53 | 63 | 0.77 | | | |
| VVG44.15-1 | | | | | | | | | | | | | | | 59 | 68 | 1.00 |
| VVG44.15-1.6 | | | | | | | | | | | | | | | | | |
| VVG44.15-2.5 | | | | | | | | | | | | 63.5 | 77.5 | 1.95 | | | |
| VVG44.15-4 | | | | | | | | 68 | 78 | | 1.00 | | | | | | |
| VVG44.20-6.3 | 20 | 9 | G1¼B | 105 | 52.5 | 62.5 | 71 | 81 | 1.48 | | | | | | | | |
| VVG44.25-10 | 25 | 11 | G1½B | | | | | | | 63.5 | 77.5 | 87.5 | 1.95 | | | | |
| VVG44.32-16 | 32 | | G2B | 76 | 80.5 | 90.5 | 2.75 | | | | | | | | | | |
| VVG44.40-25 | 40 | | G2¼B | | | | | | | | | | | | | | |

| VXG44.. | | DN | B | G | L1 | L2 | L3 | H1 | H2 | | | | | | | | |
|---------------|----|----|------|-----|------|------|------|------|------|------|------|------|------|------|----|----|------|
| | | | [mm] | ["] | [mm] | [mm] | [mm] | [mm] | [mm] | | | | | | | | |
| VXG44.15-0.25 | | 15 | 8.5 | G1B | 100 | 50 | 50 | 45 | 55 | 0.55 | | | | | | | |
| VXG44.15-0.4 | | | | | | | | 49 | 59 | | 0.59 | | | | | | |
| VXG44.15-0.63 | | | | | | | | | | | | 53 | 63 | 0.67 | | | |
| VXG44.15-1 | | | | | | | | | | | | | | | 59 | 68 | 0.90 |
| VXG44.15-1.6 | | | | | | | | | | | | | | | | | |
| VXG44.15-2.5 | | | | | | | | | | | | 77.5 | 87.5 | 1.74 | | | |
| VXG44.15-4 | | | | | | | | 68 | 78 | | 0.90 | | | | | | |
| VXG44.20-6.3 | 20 | 9 | G1¼B | 105 | 52.5 | 52.5 | 71 | 81 | 1.30 | | | | | | | | |
| VXG44.25-10 | 25 | 11 | G1½B | | | | | | | 77.5 | 87.5 | 1.74 | | | | | |
| VXG44.32-16 | 32 | | G2B | 76 | 80.5 | 90.5 | 2.39 | | | | | | | | | | |
| VXG44.40-25 | 40 | | G2¼B | | | | | | | | | | | | | | |

| ALG.. | | | G | Rp | |
|--------|--------------|--------|--------------|-----|-----|
| | | | ["] | ["] | |
| ALG152 | VVG44.15... | ALG153 | VXG44.15... | G1 | Rp½ |
| ALG202 | VVG44.20-6.3 | ALG203 | VXG44.20-6.3 | G1¼ | Rp¾ |
| ALG252 | VVG44.25-10 | ALG253 | VXG44.25-10 | G1½ | Rp1 |