

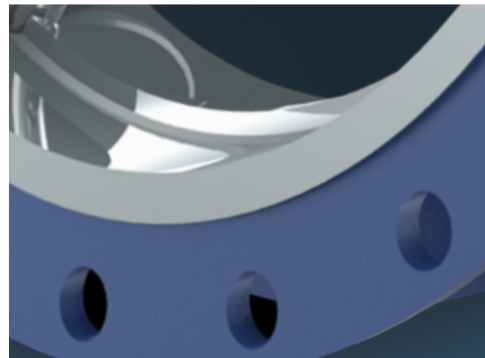
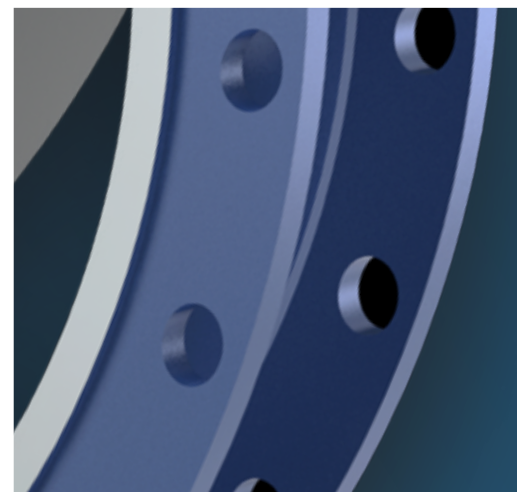
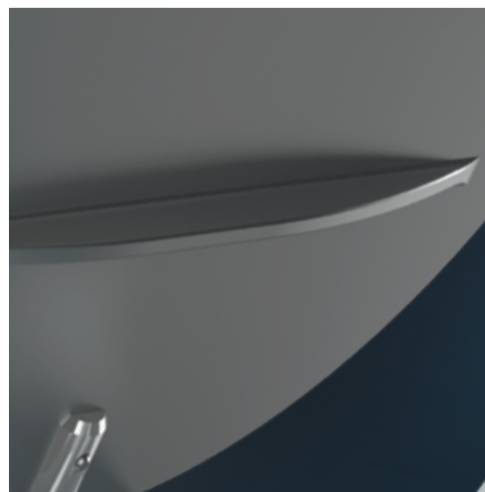
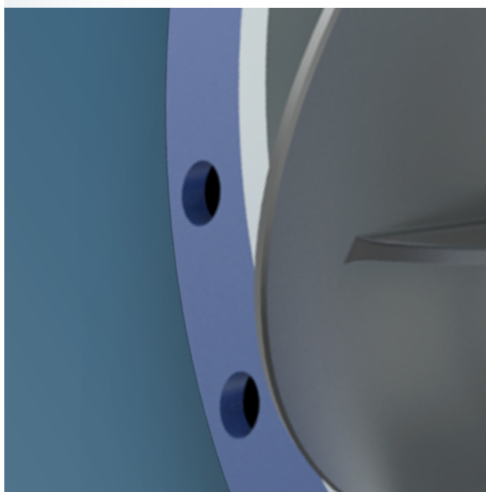
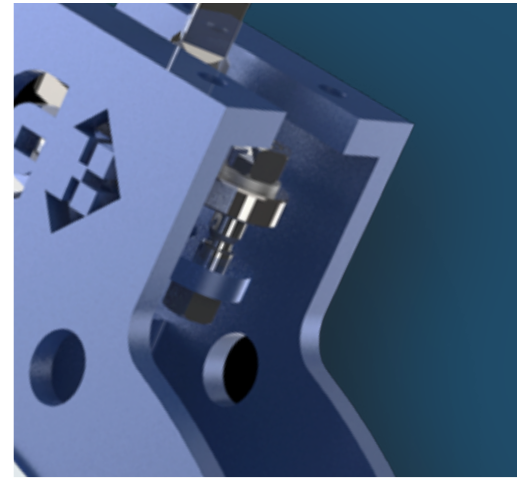
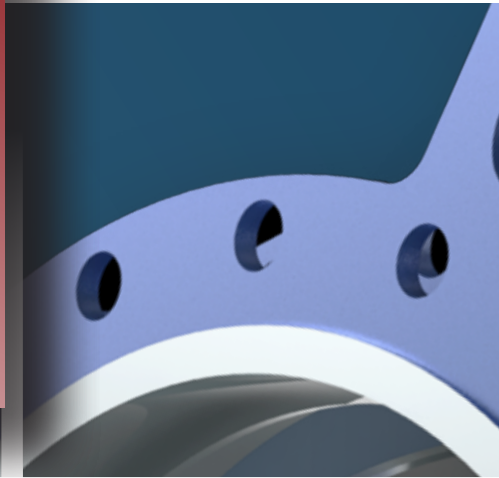


GHIBSON

valves

**Butterfly
valves**

**DAMPER
series**





Butterfly valves

DAMPER Series

Fully manufactured and designed according to customer requirements, mainly used with high temperature combined with low pressure applications.

HOT AIR AND SMOKES

FA Series

- technical data
- components
- dimensions

1
1
2
3



GIBSON
Zola Predosa
Bologna

Ghibson Italia srl reserves the right to change and/or update data/content without previous notice.



BVFA - Wafer BFFA - Double Flange
DN 150 - 1500 • 2" - 60"

Butterfly valves for hot air and smokes

On request max DN 2000 - 80"

Max working pressure:

BVFA/BFFA DN 150÷1500 - **up to 3 Bar**

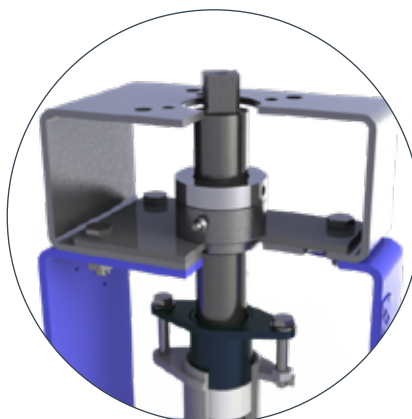
Flanges: **PN 6-10-16•A150**

On request: DN50-125, PN 25

Leakage class:

EN 1349

Leakage class: I, II, III acc.to FCI 70-2 (ex ANSI B 16.104)



BFFA

Types:

Type H: max 200°C

Type HT: max 600°C

Type HTT: max 1000°C



BODY

material	standard coating
AISI 310	Epoxy RAL 5009
AISI 321	
AISI 316	
AISI 304	
S355JOWP (COR-TEN A)	
carbon steel (S275JR)	

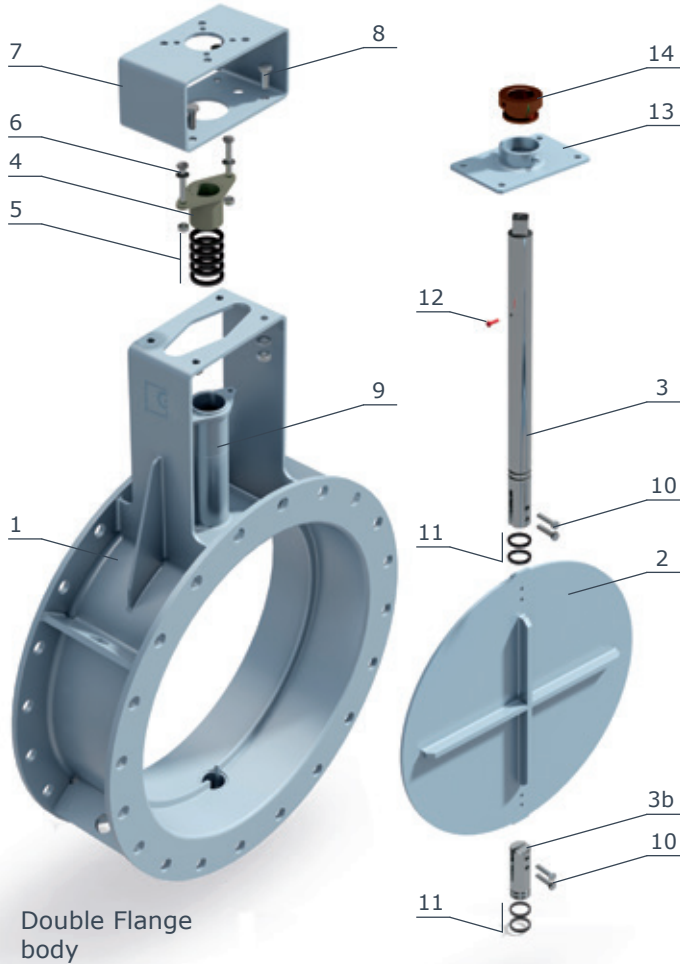
DISC

material	standard coating
AISI 310	Epoxy RAL 5009
AISI 321	
AISI 316	
AISI 304	
S355JOWP (COR-TEN A)	
carbon steel (S275JR)	

BVFA - Wafer **BFFA** - Double Flange

DN 150 - 1500 • 6" - 60"

PN 6 - 10 - 16 • ANSI 150

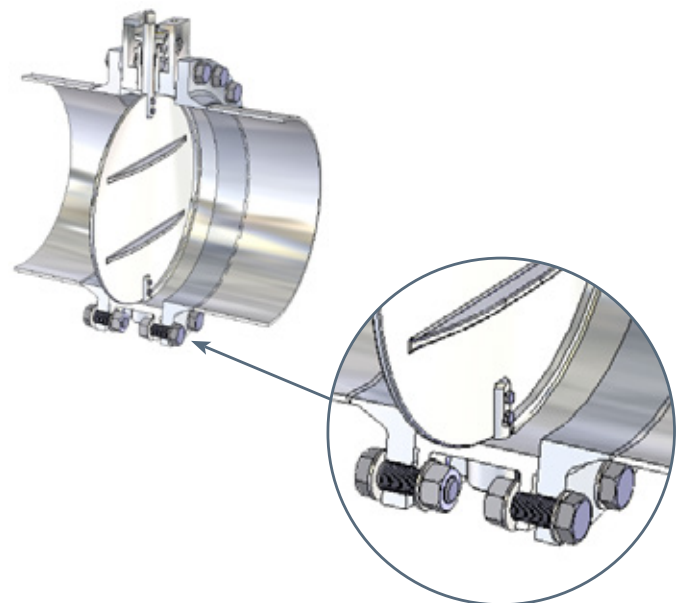
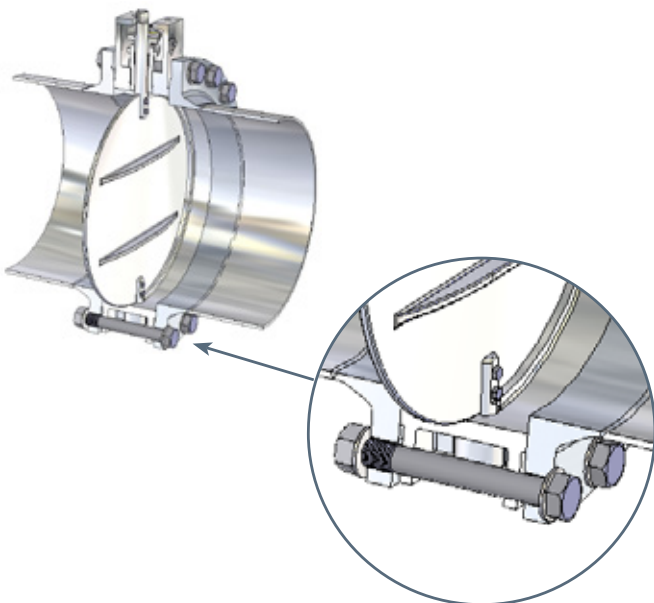


Double Flange body

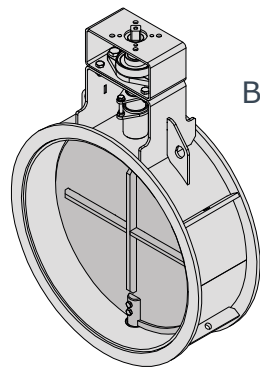
item	q.ty	part	material
1	1	body	<ul style="list-style-type: none"> • AISI 310 • AISI 321 • AISI 316 • AISI 304 • S355JOWP (COR-TEN A) • carbon steel S275JR
2	1	disc	<ul style="list-style-type: none"> • AISI 310 • AISI 321 • AISI 316 • AISI 304 • S355JOWP (COR-TEN A) • carbon steel S275JR
3	1	shaft	• stainless steel AISI 316
3b	1	shaft	• stainless steel AISI 316
4	1	gland	• stainless steel AISI 304
5	1	shaft packing	<ul style="list-style-type: none"> • graphite • glass fiber
6	6	bolt and washer	• stainless steel grade A2
7	1	bracket	• carbon steel
8	4	bolt	• stainless steel grade A2
9	1	support	• stainless steel AISI 316
10	4	bolt	• stainless steel grade A2
11	4	gasket	<ul style="list-style-type: none"> • graphite • glass fiber
12	1	open/close mechanical indicator	
13	1	bushing on support	• stainless steel AISI 304
14	1	bushing	• bronze

Right installation:

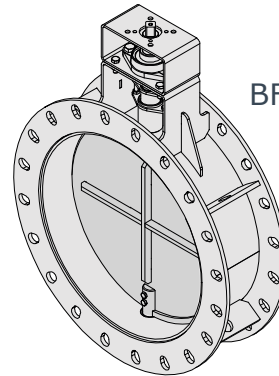
Wrong installation:



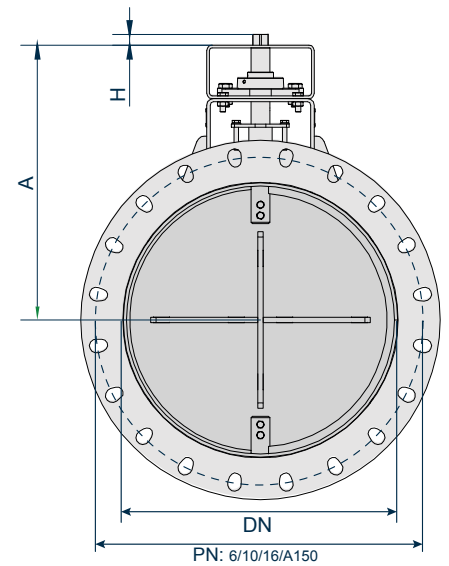
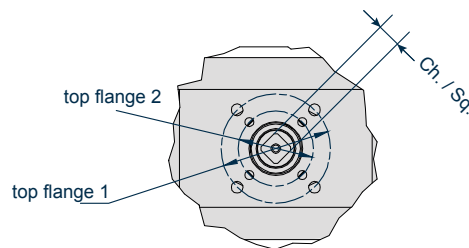
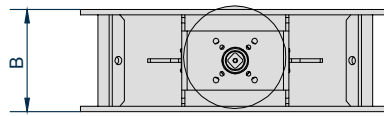
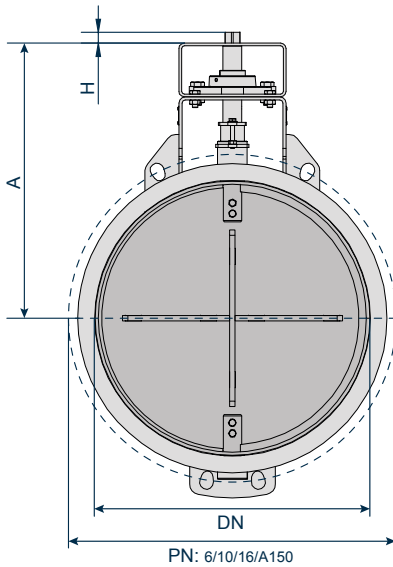
BVFA / BFFA dimensions



BVFA



BFFA



DN	"	A			H	top flange ISO 2511		Ch. / Sq.	B	requested torque [nm]
		mod. H	mod. HT	mod. HTT		1	2			
150	6	310	470	— depending on application —	17	F07	F05	14x14	140	22
200	8	335	495		17	F07	F05	14x14	140	26
250	10	363	522		17	F07	F05	14x14	140	24
300	12	388	547		17	F07	F05	14x14	140	42
350	14	405	564		17	F07	F05	14x14	140	49
400	16	429	588		17	F07	F05	14x14	140	58
450	18	488	648		20	F10	F07	22x22	190	62
500	20	513	673		20	F10	F07	22x22	190	72
600	24	561	721		20	F10	F07	22x22	190	85
700	28	611	771		20	F10	F07	22x22	190	102
800	32	661	821		20	F10	F07	22x22	190	118
900	36	803	963		25	F14	F12	27x27	240	128
1000	40	853	1013		25	F14	F12	27x27	240	138
1100	44	903	1063		25	F14	F12	27x27	240	156
1200	48	953	1113		25	F14	F12	27x27	240	186
1300	52	1003	1163	25	F14	F12	27x27	240	204	
1400	56	1053	1215	25	F14	F12	27x27	240	218	
1500	60	1103	1265	25	F14	F12	27x27	240	252	



MORE THAN 35 YEARS OF HIGH QUALITY EXPERIENCE

Ghibson Italia can now boast of more than 35 years of experience in manufacturing of industrial valves.

In these 35 years we have designed and manufactured in our facilities in Italy butterfly valves and check valves, for the most different industrial applications.

We export our products all over the world always providing our customers with the best assistance during all the phases: design, installation, maintenance.

MARKET SEGMENTS

Marine
Water Treatment
Pulp & Paper
Power Plant
Nuclear Plant
HVAC
Chemical & Petrochemical
Powder Conveying Systems
Food & Beverage

APPLICATIONS

Steam isolation - Vacuum service - Refining
Cooling Water systems - Metallurgical processes
Powder transportation & storage
Oil field recovery - Liquid natural gas
Steam service - Steam Turbine
Saltwater Service - District heating & cooling
Hot Air & Smokes
Chemicals storage & transportation
Food & Beverage processes

DEPARTMENTS

- RESEARCH & DEVELOPMENT
- DESIGN
- CUSTOMIZATION
- PRODUCTION & LOGISTIC
- SALES & MARKETING
- QUALITY CONTROL
- CERTIFICATIONS
- PACKING AND SHIPPING
- AFTER SALES SUPPORT

WIDE RANGE OF PRODUCTS

Very large choice of materials including valves of every alloy of carbon or stainless steel, bronze, aluminium, as well as with PTFE or Polypropylene.

We manufacture rubber seated valves with many elastomer types (EPDM, NBR, FKM, Silicone, Carboxidate among others), as well as PTFE, RTFE seated valves with many different coatings such as Halar, Rilsan, PFA, Chenisil, etc.

We can offer a total assistance:

- before selling we can start from dimensioning the valves and actuators, make selection of materials for all parts upon knowing the specification, prepare all types of drawings etc.
- after selling we make final documentation, provide installation supervision, undertake commissioning etc.

BUTTERFLY VALVES

Rubber Seated
PTFE Seated
High Performance
Damper Valves

ACTUATORS & OPTIONS

Pneumatic - Electric - Hydraulic

CONTROL SYSTEMS

CUSTOMIZED VALVES

CHECK VALVES

Disc type
Swing type
Dual plate

CERTIFICATIONS





GGHIBSON valves

not just valves, but solutions



Ghibson Italia srl

Via Dozza, 2 40069 Zola Predosa BO Italy
tel +39 051 835711 info@ghibson.it

ghibsonvalves.com